

Compressor Solenoid Valve S5073 Series

GENERAL FEATURES

- Wide pressure range, flow rate and orific options.
 - Solenoid valves are used with filters.
 - Solenoid valves can be mounted in any position without affecting its operation.
 - Coil to be used in a vertical position.
 - TORK series S5073 direct acting plate mounting compressor solenoid valves are 2/2 way, normally closed and have small body size.
 - Low coil power (DC 5,5 AC 7,2-8,5 VA)
 - Manual override or without manual override, for small body (1/8" and 1/4"), square type body and easy installation
- Working temperature: -10°C / + 160°C

ELECTRICAL CHARACTERISTICS

Continuous Duty	: ED %100
Coil Insulation Class	: H (180°C)(IEC 85)
Coil Impregnation	: Polyester Fiber Glass
Ambient Temperature	: -10°C, +60°C
Protection Degree	: IP65 (ISO 60529) On request; IP68
Electric Plug Connection	: DIN 46340 3-Poles Connector (DIN 43650)
Connector Specification	: ISO 4400 / EN 175301-803 Form A, Spade Plug (Cable Ø6-8 mm)
Electrical Safety	: IEC 335
Standard Voltages	: AC 12V 15VA, 24V 15VA, 48V 15VA, 230V 15VA, 230V 24VA DC 12V 18W, 24V 18W, 48V 18W, 110V 18W

On request other voltages

Voltages Tolerance	: AC -15%, +10% DC -5%, +10%
Frequency	: 50 Hz (60 Hz...)

On request; Connector with LED, PWM Socket Specify coil voltage with order

MATERIALS IN CONTACT WITH FLUID

Body	: Brass
Internal Parts	: Stainless Steel
Sealing	: VITON
Shading Ring	: Copper (EN 12735-1)
Seats, Core Tube, Springs	: Stainless Steel

OPTIONS

- Female connection: BSP; (On request NPT)
- On request CR-Ni plated, PTFE coated done
 - On request Atex (exproof) coil.

TECHNICAL FEATURES

Max. Viscosity	: 5°E (-37cST veya mm²/s)
Response Time	: Opening time : 400 - 1600 ms Closing Time : 1000 - 2000 ms

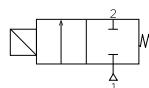
SEALS FEATURES

NBR	: -10°C...+80°C
EPDM	: -10°C...+130°C
VITON	: -10°C...+160°C
PTFE	: -10°C...+180°C
RUBY	: -10°C...+160°C

STANDARDS

- Standard tube connection G (BSP) (ISO 228-1) and other tube connections (NPT (ANSI 1.20.3)) are available on request.
- TORK solenoid valves 97/23/EC, are available for pressure equipment directive (PED) and 2006/95/ECC low voltage directive (LVD).

Not: Please look catalogues for more details



NORMALLY CLOSED

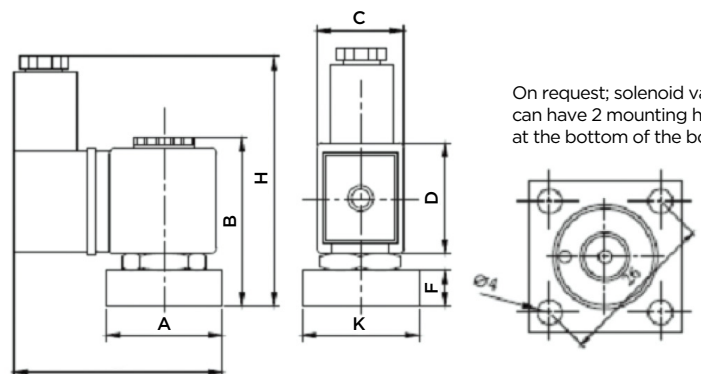
TABLAYA MONTAJLI

DIRECT ACTING

$\Delta P=0$



COMPRESSOR



Dimensions (mm)

A	B	C	D	E	F	H	K
25	52	22	29.5	61	6	68	25

Solenoid Valve Symbol	Valve Type/ Order No	Connection Size	Orifice Size	Pressure min/max	Kv	Seal	Weight
	S5073	G	mm	Bar	Bar	Lt/dk	kg
	S5073.018		1.8	0	12	1.6	0.27